

5M Pixels USB3.0 / USB2.0 /RGBIR CMOS /  
30fps@5M(YUY2) / UVC / AE / AGC / AWB /  
USB3.0 MICRO B CONNECTOR  
5.0M PIXELS RGBIR USB3.0 UVC CAMERA

## HU53-M18

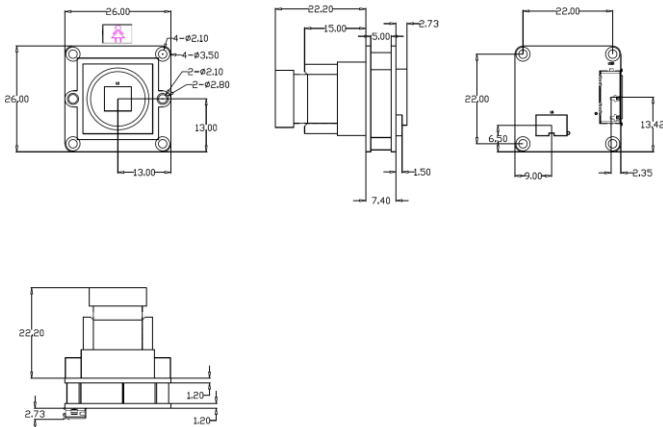
### FEATURES

- 1/2.7" 5MegaPixels RGBIR CMOS
- Support USB3.0 Super-Speed / USB2.0 High-Speed
- Frame Rate : 30fps@5M Pixels (YUY2) / 60fps@Full HD(YUY2)
- Electronic Rolling Shutter
- Output Format : Non-compressed (YUY2), compressed MJPEG
- Built-In AE / AGC / AWB / Auto Flickerless
- Plug-&-Play (UVC compliant - No drivers required)
- Built-in USB3.0 Micro-B connector
- Fixed Lens f=2.9mm

### SPECIFICATIONS

HU53-M18	
Image Sensor	1/2.7" 5Megapixels RGBIR CMOS
Effective Pixels	2688(H) x 1944(V) = 5,225,472 (Pixels)
Pixel Size	2um x 2um
Minimum illumination (F1.2)	Color : 0.1 Lux B/W : 0.08 Lux
Resolution	5M (2560x1920) / 3M (2048x1536) / FHD (1920x1080) / HD (1280x720) / VGA(640x480) / QVGA(320x240)
Frame Rate	15fps@8M / 30fps@5M / 30fps@3M / 60fps@FULL HD / 120fps@HD / 120fps@VGA
Video Data Output format	NoN-Compressed (YUY2) / MJPEG(YUV422)
Interface	USB3.0 Super-Speed USB2.0 High-Speed / Full-Speed
Auto Exposure Control	Built-in
Auto Gain Control	Built-in
Auto White Balance Control	Built-in
Auto Flicker Detection / Removal	Built-in
Lens	Fixed lens f=2.9mm
Operating System	Support Windows 7, Windows 8, Windows 10 , Linux
PC Requirements	CPU : Equal to Intel Core 2 2.8GHz or Higher Memory : 2GB or More USB Port : USB2.0 / USB3.0 Port
Power Supply	DC 5V (±5%)
Power Consumption	Max. 2.3W
Operating Temperature	-10°C ~ +50°C
Operating Humidity	Less than 90%
Dimension	26.0(W) x 26.0(H) x 32.13(D) mm
Weight	Approx. 20g

### DIMENSION



\* In accordance with customers' request, the specifications can be fixed or changed without notice.