

8M Pixels USB2.0 / 30fps@8M(MJPEG) / UVC / AE / AGC / AWB / FIXED FOCUS / MICRO USB2.0 CONNECTOR / MEMS MIC
8.0M PIXELS AF USB2.0 UVC CAMERA

HU8-M12

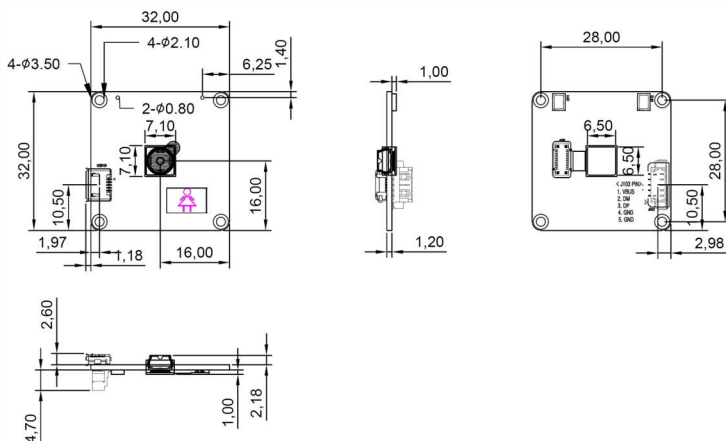
FEATURES

- 1/4" 8MegaPixels Samsung LSI CMOS
- Support USB2.0 High-Speed / FULL-Speed
- Frame Rate : 30fps@8Mp / 30fps@5MP / 60fps@Full HD
- Electronic Rolling Shutter
- Output Format : compressed MJPEG
- Built-In AE / AGC / AWB / Auto Flickerless
- Plug-&-Play (UVC compliant - No drivers required)
- Fixed Focus
- View Angle : D=74.06°, H=61.2°, V=46.2°
- Built-in Micro USB2.0 connector / 5PIN Wafer
- Built-in Stereo MIC (MENS MIC)

SPECIFICATIONS

HU8-M12	
Image Sensor	1/4" 8 Megapixels Samsung LSI CMOS
Total Pixels	3316(H) x 2500(V) = 8,290,000 (Pixels)
Effective Pixels	3264(H) x 2448(V) = 7,990,272 (Pixels)
Pixel Size	1.4 um
Minimum illumination (F1.2)	Color : 0.1 Lux B/W : 0.08 Lux
Resolution	8M (3264x2488) / 5M (2592x1944) / Full HD (1920x1080) / 2M (1600x1200) / HD (1280x720) / VGA (640x480) / QVGA (320x240)
Frame Rate	30fps@8M / 30fps@5M / 60fps@FULL HD / 60fps@2M / 60fps@HD / 60fps@VGA / 60fps@QVGA
Video Data Output format	MJPEG (YUV422)
Interface	USB2.0 High-Speed / Full-Speed
Auto Exposure Control	Built-in
Auto Gain Control	Built-in
Auto White Balance Control	Built-in
Auto Flicker Detection	Built-in
MIC	STEREO MENS MIC
Lens	f=3.0mm, F No.=2.0(±5%) View Angle : D=74.06°, H=61.2° V=46.2° (±5%)
USB Connector	Micro USB2.0 Connector
Operating System	Support Windows 7, Windows 8, Windows 10, Linux
PC Requirements	CPU : Equal to Intel Core 2 2.8GHz or Higher Memory : 2GB or More USB Port : USB2.0
Power Supply	DC 5V (±5%)
Power Consumption	Max. 1.3W
Operating Temperature	-10°C ~ +50°C
Operating Humidity	Less than 90%
Dimension	32.0(W) x 32.0(H) x 8.5(D) mm
Weight	Approx. 20g

DIMENSION



* In accordance with customers' request, the specifications can be fixed or changed without notice.