

8M Pixels USB2.0 / 90fps@XGA / UVC / AE / AGC / AUTO FLICKERLESS / AWB / HDR / VIEW ANGLE 116°
8M PIXELS USB2.0 UVC CAMERA

HU8-M17

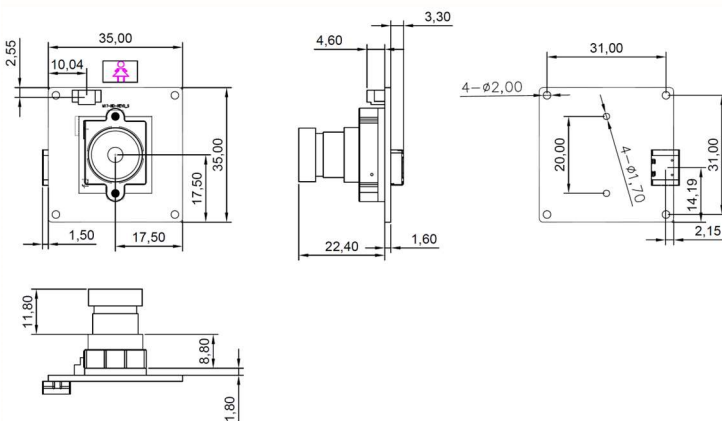
FEATURES

- 1/3.2" 8MegaPixels Samsung LSI CMOS
- Support USB2.0 High-Speed / FULL-Speed
- Frame Rate : 90fps,60fps,30fps@XGA / 90fps, 60fps,30fps@VGA
- Electronic Rolling Shutter
- Output Format : Compressed MJPEG(YUV422), Non-Compressed(YUY2)
- Built-In AE / AGC / AWB / Auto Flickerless / HDR
- Plug-&-Play (UVC compliant - No drivers required)
- Built-in USB2.0 C-TYPE connector
- Fixed Lens f=2.9mm, View Angle D=116.0°
- Built-in Moving Filter(TDN)

SPECIFICATIONS

	HU8-M17
Image Sensor	1/3.2" 8 Megapixels Samsung LSI CMOS
Effective Pixels	3264(H) x 2448(V) = 7,990,272 (Pixels)
Pixel Size	1.4 um
Minimum illumination (F1.2)	Color : 0.1 Lux B/W : 0.08 Lux
Resolution	XGA (1024x768) / VGA (640x480)
Frame Rate MJPEG (YUV422)	90fps,60fps,30fps@XGA / 90fps,60fps,30fps@VGA
Video Data Output format	MJPEG (YUV422) / Non-Compressed(YUY2)
Interface	USB2.0 High-Speed / Full-Speed
Auto Exposure Control	Built-in
Auto Gain Control	Built-in
Auto White Balance Control	Built-in
Auto Flicker Detection	Built-in
High Dynamic Range(HDR)	Built-in
View Angle	D=116.0° / H=88.0° / V=64.0° (±5%)
Operating System	Support Windows 7, Windows 8, Windows 10, Linux
PC Requirements	CPU : Equal to Intel Core 2 2.8GHz or Higher Memory : 2GB or More USB Port : USB2.0
Power Supply	DC 5V (±5%)
Power Consumption	Max. 1.0W
Operating Temperature	-10°C ~ +50°C
Operating Humidity	Less than 90%
Dimension	35.0(W) x 35.0(H) x 27.3(D) mm
Weight	Approx. 20g

DIMENSION



* In accordance with customers' request, the specifications can be fixed or changed without notice.