

2M Pixels USB2.0 / 30fps@Full HD / UVC / AE / AGC / AUTO FLICKERLESS / AWB / HDR / VIEW ANGLE 122° / 12 IRLED
2MP USB2.0 IRLED BULLET UVC CAMERA

HU2-RU2

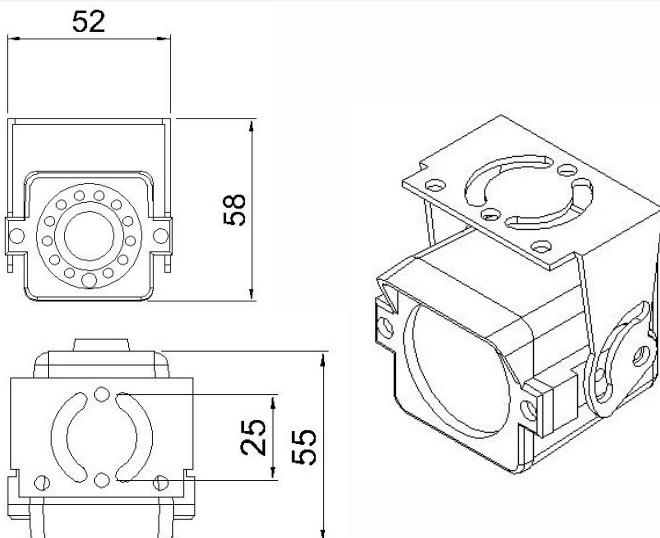
FEATURES

- 1/2.9" 2MegaPixels CMOS
- Support USB2.0 High-Speed / FULL-Speed
- Frame Rate : 30fps@Full HD / 30fps@HD / 30fps@VGA / 30fps@WVGA
- Electronic Rolling Shutter
- Output Format : compressed MJPEG
- Built-In AE / AGC / AWB / Auto Flickerless
- Plug-&-Play (UVC compliant - No drivers required)
- Built-in USB2.0 Cable
- Fixed Lens f=2.9mm, View Angle D=122°
- 12 PCS IRLED
- IP66 Weatherproof
- Option : Window Mount

SPECIFICATIONS

| HU2-RU2 | |
|---------------------------------|---|
| Image Sensor | 1/2.9" 2 Megapixels CMOS |
| Active Pixels | 1920(H) x 1080(V) = 2,073,600 (Pixels) |
| Pixel Size | 2.8um x 2.8um |
| Minimum illumination (F1.2) | Color : 0.1 Lux B/W : 0.08 Lux |
| Resolution | Full HD (1920x1080) / HD (1280x720) / VGA (640x480) / WVGA (640x320) |
| Frame Rate MJPEG (YUV422) | 30fps@Full HD / 30fps@HD / 30fps@VGA / 30fps@WVGA |
| Frame Rate Non-Compressed(YUY2) | 30fps@Full HD / 10fps@HD / 30fps@VGA / 30fps@WVGA |
| Video Data Output format | MJPEG (YUV422) / Non-Compressed(YUY2) |
| Interface | USB2.0 High-Speed / Full-Speed |
| Auto Exposure Control | Built-in |
| Auto Gain Control | Built-in |
| Auto White Balance Control | Built-in |
| Auto Flicker Detection | Built-in |
| High Dynamic Range(HDR) | Built-in |
| View Angle | f=2.9mm D=122.0° / H=103° / V=55° (±5%) |
| USB Cable | USB2.0 Cable |
| IRLED | 12 PCS |
| Operating System | Support Windows 7, Windows 8, Windows 10, Linux |
| PC Requirements | CPU : Equal to Intel Core 2 2.8GHz or Higher Memory : 2GB or More USB Port : USB2.0 |
| Power Supply | DC 5V (±5%) |
| Power Consumption | LED Off : Max. 0.8W / LED On : Max. 1.7W |
| Operating Temperature | -10°C ~ +50°C |
| Operating Humidity | Less than 90% |
| Dimension | 52.0(W) x 55.0(H) x 58(D) mm |
| Weight | Approx. 280g |

DIMENSION



* In accordance with customers' request, the specifications can be fixed or changed without notice.

