

2M Pixels USB2.0 / 30fps@Full HD / UVC / AE / AGC / AUTO FLICKERLESS / AWB / HDR / VIEW ANGLE 122°
2MP USB2.0 VANDAL DOME UVC CAMERA

HU2-V2

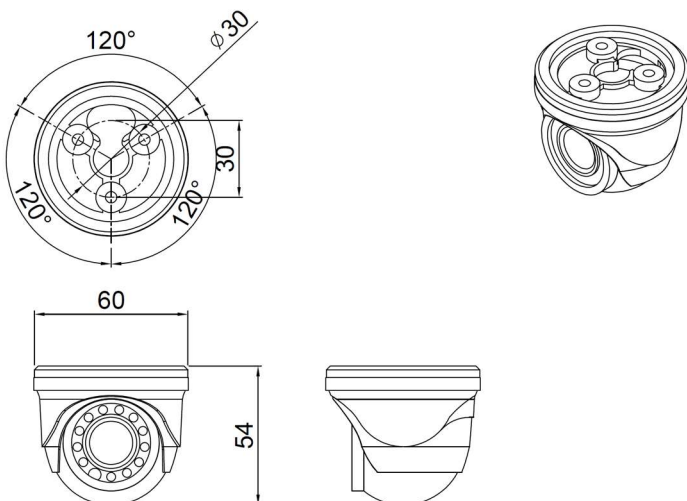
FEATURES

- 1/2.9" 2MegaPixels CMOS
- Support USB2.0 High-Speed / FULL-Speed
- Frame Rate : 30fps@Full HD / 30fps@HD / 30fps@VGA / 30fps@WVGA
- Electronic Rolling Shutter
- Output Format : compressed MJPEG
- Built-In AE / AGC / AWB / Auto Flickerless
- Plug-&-Play (UVC compliant - No drivers required)
- Built-in USB2.0 Cable
- Fixed Lens f=2.9mm, View Angle D=122°
- IP66 Weatherproof

SPECIFICATIONS

	HU2-V2
Image Sensor	1/2.9" 2 Megapixels CMOS
Active Pixels	1920(H) x 1080(V) = 2,073,600 (Pixels)
Pixel Size	2.8um x 2.8um
Minimum illumination (F1.2)	Color : 0.1 Lux B/W : 0.08 Lux
Resolution	Full HD (1920x1080) / HD (1280x720) / VGA (640x480) / WVGA (640x320)
Frame Rate MJPEG (YUV422)	30fps@Full HD / 30fps@HD / 30fps@VGA / 30fps@WVGA
Frame Rate Non-Compressed(YUY2)	30fps@Full HD / 10fps@HD / 30fps@VGA / 30fps@WVGA
Video Data Output format	MJPEG (YUV422) / Non-Compressed(YUY2)
Interface	USB2.0 High-Speed / Full-Speed
Auto Exposure Control	Built-in
Auto Gain Control	Built-in
Auto White Balance Control	Built-in
Auto Flicker Detection	Built-in
High Dynamic Range(HDR)	Built-in
View Angle	f=2.9mm D=122.0° / H=103° / V=55° (±5%)
USB Cable	USB2.0 Cable
Operating System	Support Windows 7, Windows 8, Windows 10, Linux
PC Requirements	CPU : Equal to Intel Core 2 2.8GHz or Higher Memory : 2GB or More USB Port : USB2.0
Power Supply	DC 5V (±5%)
Power Consumption	Max. 0.8W
Operating Temperature	-10°C ~ +50°C
Operating Humidity	Less than 90%
Dimension	60.0(W) x 54.0(H)mm
Weight	Approx. 290g

DIMENSION



* In accordance with customers' request, the specifications can be fixed or changed without notice.

