



8M Pixels USB2.0 / 30fps@8M(MJPEG) / UVC / MJPEG(YUV422) / AE / AGC / AWB / FLK / VIEW ANGLE 116° / 12 IRLED
8MP USB2.0 IRLED BULLET UVC CAMERA

HU8-RU1

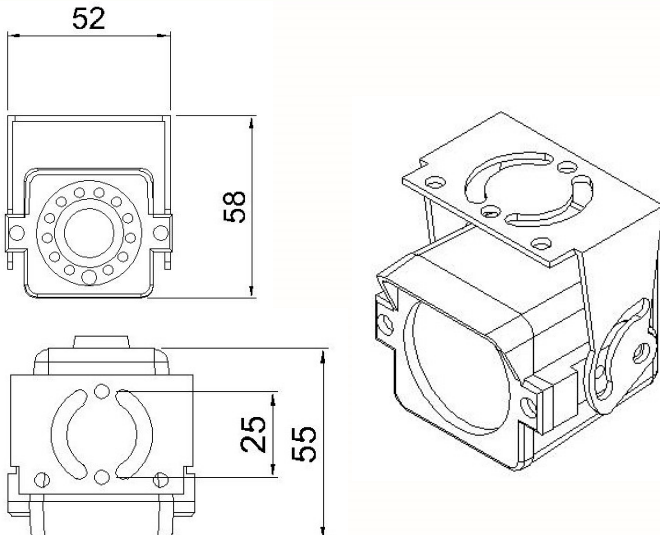
FEATURES

- 1/3.2" 8MegaPixels Samsung LSI CMOS
- Support USB2.0 High-Speed / FULL-Speed
- Frame Rate : 30fps@8Mp / 30fps@5MP / 60fps@Full HD
- Electronic Rolling Shutter
- Output Format : compressed MJPEG
- Built-In AE / AGC / AWB / Auto Flickerless
- Plug-&-Play (UVC compliant - No drivers required)
- Built-in USB2.0 Cable
- Fixed Lens f=2.9mm, View Angle D=116°
- 12 PCS IRLED
- IP66 Weatherproof
- Option : Window Mount

SPECIFICATIONS

	HU8-RU1
Image Sensor	1/3.2" 8 Megapixels Samsung LSI CMOS
Total Pixels	3316(H) x 2500(V) = 8,290,000 (Pixels)
Effective Pixels	3264(H) x 2448(V) = 7,990,272 (Pixels)
Pixel Size	1.4 um
Minimum illumination (F1.2)	Color : 0.1 Lux B/W : 0.08 Lux
Resolution	8M (3264x2488) / 5M (2592x1944) / 3M (2048x1536) / Full HD (1920x1080) / 2M (1600x1200) / HD (1280x720) / 1M (1024x768)
Frame Rate	30fps@8M / 30fps@5M / 30fps@3M / 30fps@FULL HD / 30fps@2M / 30fps@HD / 30fps@1M
Video Data Output format	MJPEG (YUV422)
Interface	USB2.0 High-Speed / Full-Speed
Auto Exposure Control	Built-in
Auto Gain Control	Built-in
Auto White Balance Control	Built-in
Auto Flicker Detection	Built-in
View Angle	f=2.9mm D=116.0° / H=88.0° / V=64.0° (±5%)
USB Cable	USB2.0 Cable
IRLED	12 PCS
Operating System	Support Windows 7, Windows 8, Windows 10, Linux
PC Requirements	CPU : Equal to Intel Core 2 2.8GHz or Higher Memory : 2GB or More USB Port : USB2.0
Power Supply	DC 5V (±5%)
Power Consumption	LED Off : Max. 1.2W / LED On : Max. 2.1W
Operating Temperature	-10°C ~ +50°C
Operating Humidity	Less than 90%
Dimension	52.0(W) x 55.0(H) x 58(D) mm
Weight	Approx. 280g

DIMENSION



* In accordance with customers' request, the specifications can be fixed or changed without notice.